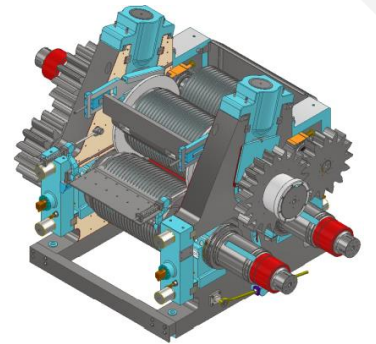


# Premium 3rd Generation Mills

- Mill Housings in carbon steel plates, with 15% mechanical resistance higher than their casted counterparts.
- With 20% more resistance to susceptible critical crack points when compared to casted versions.
- Certified steel plates with full inspection, including internal (not viable in casted mill housings), which ensure greater predictability and structural safety.
- New simplified and safer 4th roll set-up system.
- New 4th roll bearing fastening system.
- Side heads independent of the pressure head.
- System that eliminates future gaps between lateral heads and mill housing.
- Possibility of removing the arms without removing the upper roll<sup>®</sup>.
- Supports are 25% more resistant (thicker).
- New scraper placement system that facilitates operation and adjustment during the harvest.
- Stainless steel coating on fork's contact surfaces and upper scraper adjustment.



## Mill Housing

- Increase in the adjusting area of the mill.
- Great flexibility for adapting to existing bases.
- Hydraulic cooling and electrical circuits without exposed pipes.

## Hydraulic Equalizer

- Its operating concept eliminates the need for pumps, motors, and valves. It is based on a process of equal volumetric displacement, which generates an automatic mill head pressure adjustment, always keeping them with the same displacement.

